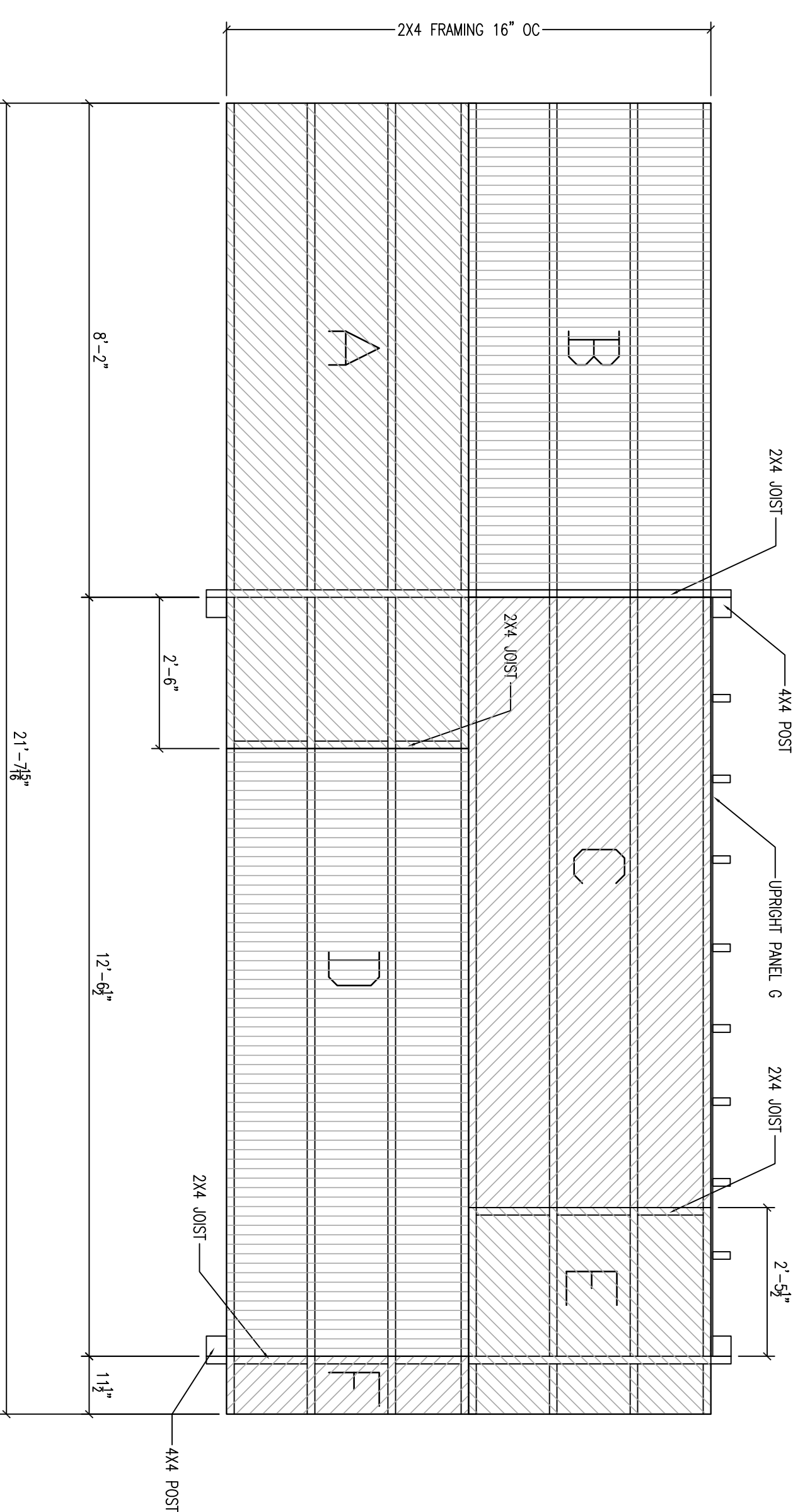
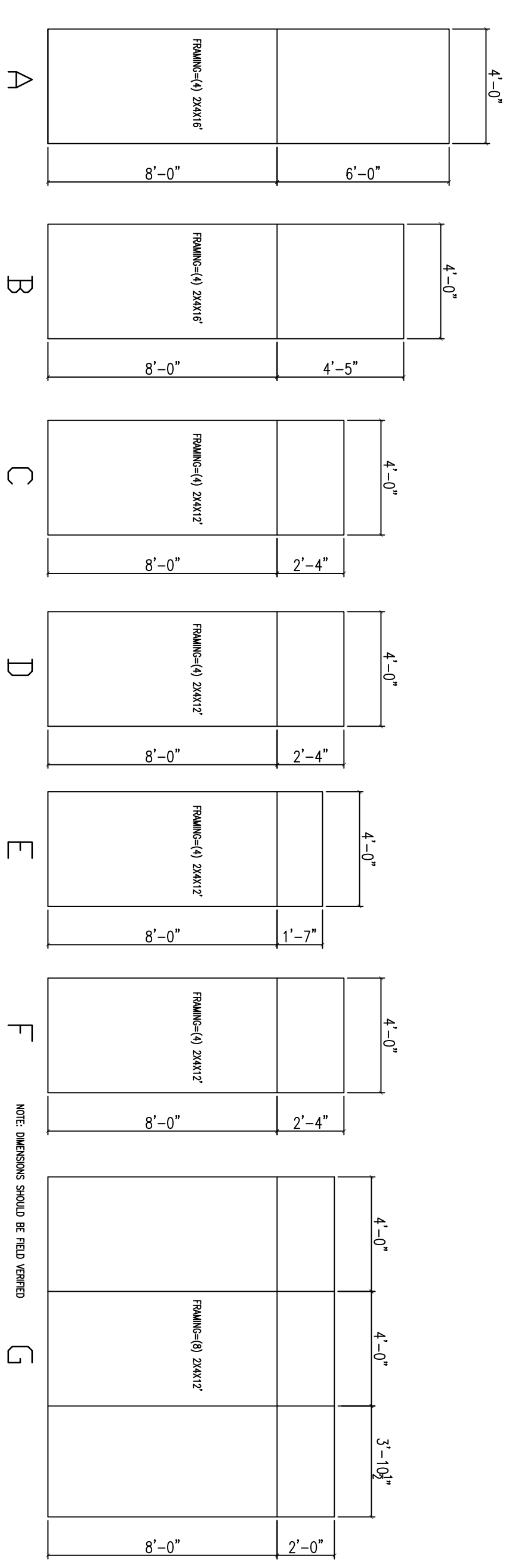


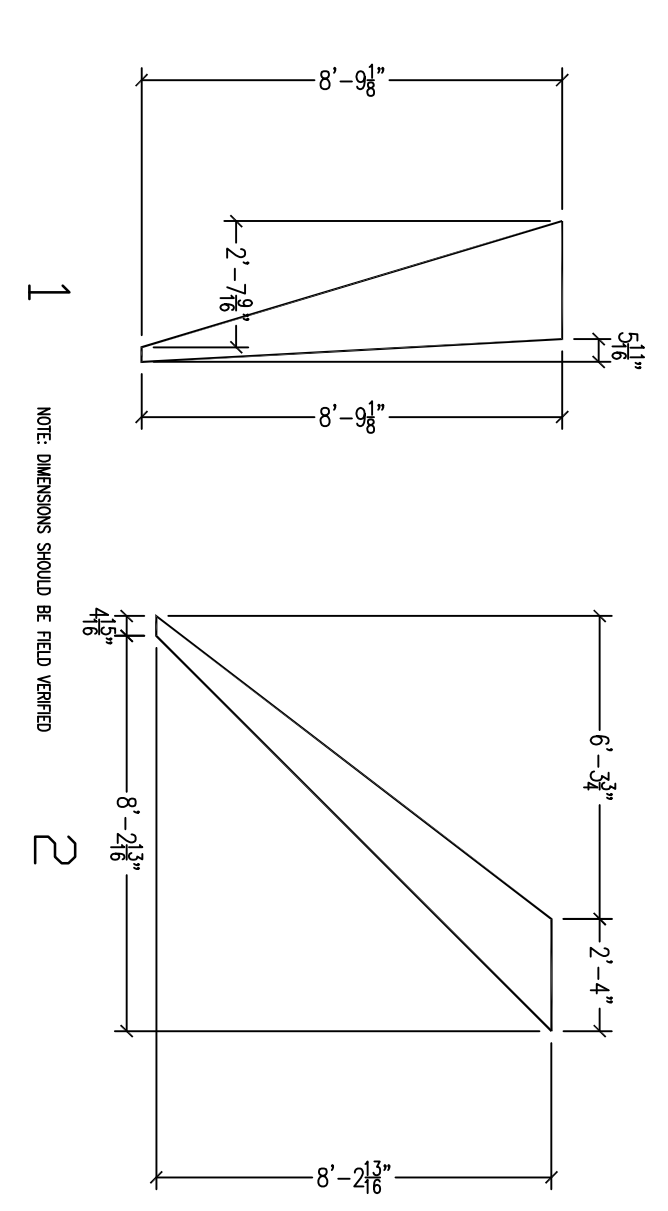
ELEVATION
1/2"=1'-0"



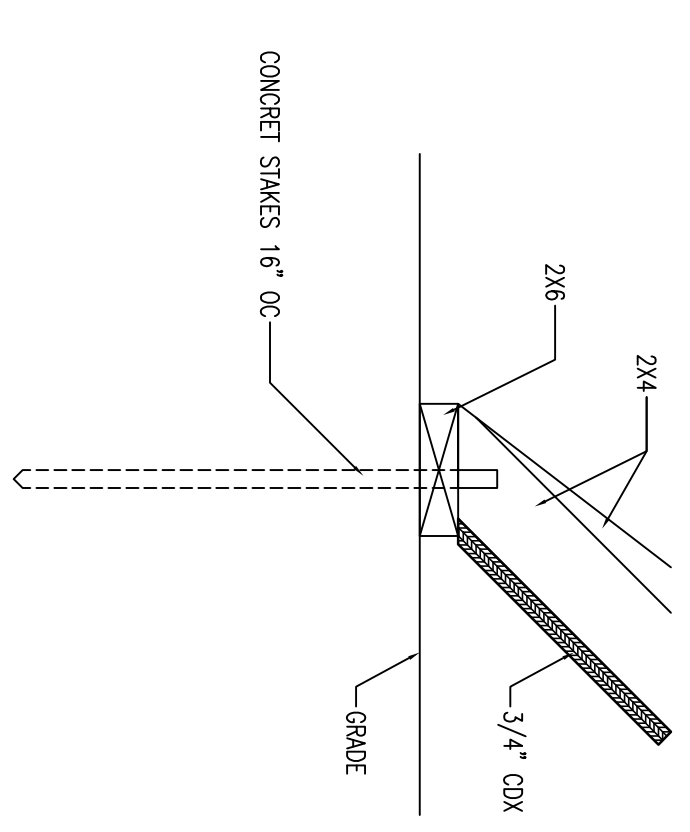
FRAMING PLAN
1/2"=1'-0"



PANELS
1/4"=1'-0"



FILLERS
1/4"=1'-0"



1 DETAIL
1 1/2"=1'-0"

MATERIALS:

- PLYWOOD**
- (9) 3/8" 4'X8' CDX PLYWOOD FOR PANELS= (\$15 unit) \$130
 - (2) 3/8" 4'X8' CDX PLYWOOD FOR FILLERS= (\$15 unit) \$20

2X MATERIAL

- PANEL FRAMING**
- (8) 2X4X16'= (\$4 unit) \$32
 - (24) 2X4X12'= (\$3 unit) \$72

JOISTS

- (3) 2X4X10'= (\$25 unit) \$75

PLATE

- (2) 2X6X10'= (\$4 unit) \$8

4X4 POST

- (4) 4X4X12= (\$9 unit) \$36

- (1) BOX DF DUT DOOR SCREWS= \$10

TOTAL = \$315.50

CLEAR PVC ROOFING PANELS

- 2'X8' = \$13

NOTE:

1. COSTS FOR REFERENCE ONLY
2. T-NUT AND CLIMBING HOLD COSTS NOT CALCULATED.

A-FRAME CLIMBING WALL